

Instructions on adjusting the TSA combination lock

The initial combination is 0-0-0.

To set your own combination, please proceed as follows:

1. Turn the dials to the opening combination 0-0-0.
2. Press down the set button (fig.1) with a pen or other tool all the way until you hear a "click" sound.
3. Turn the dials to set your own combination.
4. Push the opening slide as far as it will go (fig.2). The set button will snap back to its original position.
5. The lock will now open to your personal combination.

Record your combination in a safe and accessible place for further reference. Please check the proper condition of the TSA lock prior to locking your luggage. The manufacturer is not responsible for any improper use of the combination lock.

This combination lock has no key . If the suitcases are chosen to be opened and inspected the TSA inspectors use secured tools to open and relock without damaging the lock.

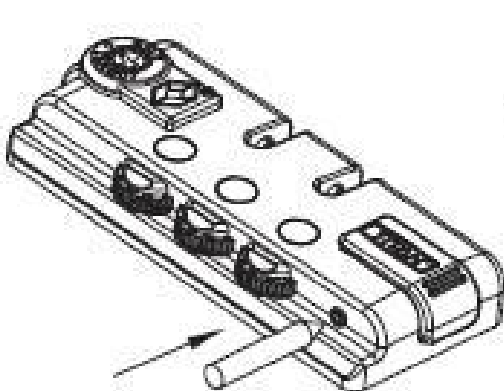


Abb. 1

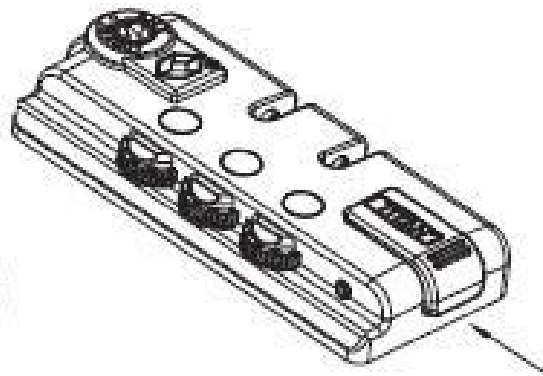


Abb. 2